



BRIEF INFORMATION

Wide-angle mirror for agricultural and construction machinery

- Reduced weight and optimised ergonomics due to slim housing and minimal sized frame
- PP housing with high UV stability
- Modern, aerodynamic style in line with today's vehicle designs
- Surface with ultra-high corrosion resistance

APPLICATION

The mirror is suitable for a wide range of vehicles, such as construction equipment, tele-handlers, front loaders, tractors, sprayers, combine harvesters and other special vehicles. The target groups are the OE, SOE and Aftermarket.

It is very versatile and offers a convincing solution for the increasing demands of everyday worklife on construction sites as well as farms.

CUSTOMER BENEFITS

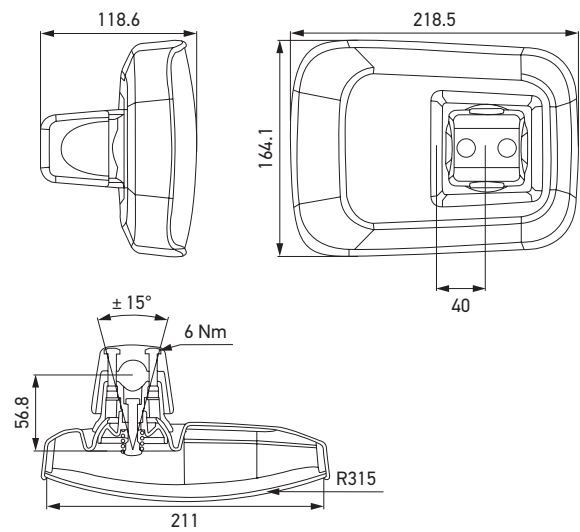
This wide-angle mirror provides greater safety in everyday work and traffic for the driver. The mirror has a maximised curvature with a 315 mm glass radius, which is fully utilised to increase the driver's indirect field of vision. Due to the compact design, it minimises the obstruction of the driver's direct view in traffic and work situations.

TECHNICAL DETAILS


Technical Data

Mounting	Vertical and horizontal, large adjustment range in the x and y-positions for optimum visibility, rotatable around z-axis
Support rod	Ø 18 to 24 mm
Housing	PP housing with high UV stability
Assembly	Pre-assembled screws for easy assembly

Dimensional sketch



RANGE OVERVIEW

Product picture	Description	Part number
	<p>Outside mirror</p> <p>The mirror head can be used on vehicles from the following manufacturers:</p> <p>JOHN DEERE / AL221772 ATLAS MASCHINEN / 6187344 VOLVO / 17500365 CLAAS / 29003530</p>	8SB 015 039-081 / -087

APPLICATION

The mirror can be attached to rods with Ø 18 - 24 mm pipe diameter.

OPTIONAL ACCESSORIES

Description	Part number
Mirror arm, left	8HG 501 253-012
Mirror arm, right	8HG 501 253-022
Telescopic mirror arm, left	8HG 501 257-032
Telescopic mirror arm, right	8HG 501 257-042



Combination example **8SB 501 550-001** and **8SB 015 039-081**