



## BRIEF INFORMATION

### Module 70 LED with magnetic base and spiral cable

- LED work lamp in compact design
- Easy mounting on magnetic surfaces
- Suitable for diverse areas of application

### PRODUCT FEATURES

The Module 70 LED with magnetic base and spiral cable is an LED work lamp for special applications from the Module 70 series. Thanks to its magnetic base and connection via a spiral cable to a cigarette lighter connector, this work lamp can be used in very many areas of application. The magnetic base enables flexible positioning on all magnetic surfaces. This means that the work lamp can be mounted quickly and easily on a vehicle whenever an additional light source is required. Because of its compact design, the work lamp can also be stored practically in the glove compartment.

The Module 70 LED with its magnetic base and spiral cable is absolutely resistant to impact, vibrations and fluctuations in voltage. Following installation, the work lamp does not require any form of maintenance and can also withstand strong vibrations. This robust work lamp is therefore suitable for a wide range of applications.

This work lamp has four high-power LEDs built in, suitable for multi voltage, and can consequently be operated on 12 and 24 volt vehicle electrical systems. The integrated electronics protect the device in the event of polarity reversal and guarantee constant brightness even if the operating voltage fluctuates between 9 and 32 volt. The robust aluminium housing features cooling fins, which ensure the required heat dissipation and thus protect the LEDs from overheating.

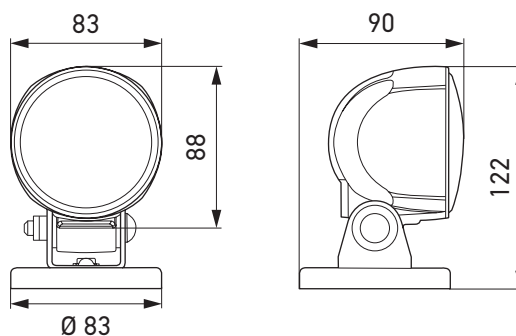
The light of the LED work lamp is very similar to daylight. This helps to distinguish colours more easily in the dark and thus facilitate the human eye's sensory perception. Such an advantage then prevents the eyes from tiring quickly during work at night.

# TECHNICAL DETAILS

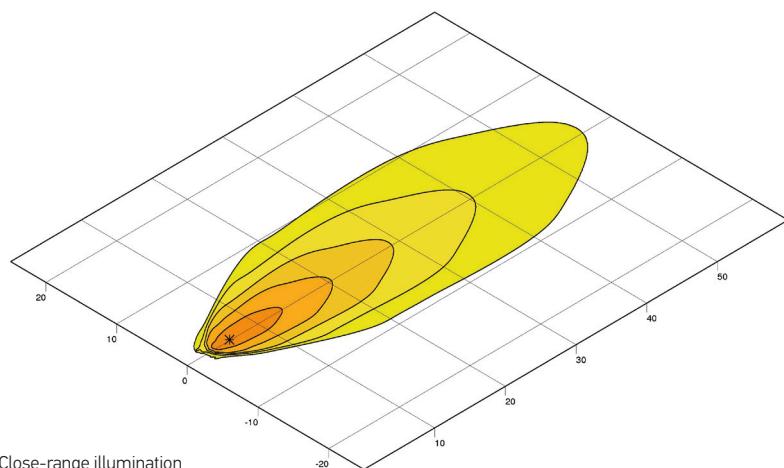
## Technical data

Operating voltage / rated voltage	9 – 32 V
Light source type	LED
Power consumption	13 W
Light output	800 lm
Colour temperature	6,500 K
Protection class	IP 6K9K, IP 6K7
Type approval	ECE-R10
Housing	Aluminium
Protection	Overheating and polarity reversal protection
Mounting	Magnetic base
Connection	Spiral cable with connector for cigarette lighter (max. cable length 3,500 mm)
Recommended angle of inclination	12°
Illumination	Close-range illumination
<b>Part number</b>	<b>1G0 996 376-631</b>

## Dimensional sketch



# LIGHT DISTRIBUTION



Close-range illumination

