



SHIFTEC

Type 'XM'



DESCRIPTION

The Type 'XM' mount from **Defence Dynamics** employs two or more leaf springs used in opposing pairs to form an elliptical leaf spring assembly. The spaces between the leaves are filled knitted mesh cushions to provide damping. This allows the mount to be used in areas where high or low temperatures are a concern, and the standard Type 'X' is not suitable. The operating temperature range is -40°C to 100°C.

There are eight sizes of 'XM' mount giving a load range of between 9 and 550 kg. These sizes are divided into three sub-groups based on their dimensions, with groups one and two being 51 mm (2") wide and group three being 102 mm (4") wide: 10 and 20; 45 70 110; 180 320 450.

Shiftec holds the Patent for this design of mount. Patent Number: GB2330642

The Type 'XM' mounts are included in MAP 01-473 with the status of approved and suggested.

APPLICATION

Approved by the MoD for Naval use these mounts were designed to be interchangeable with the Type 'X' range providing the same space efficient mount design

INSTALLATION

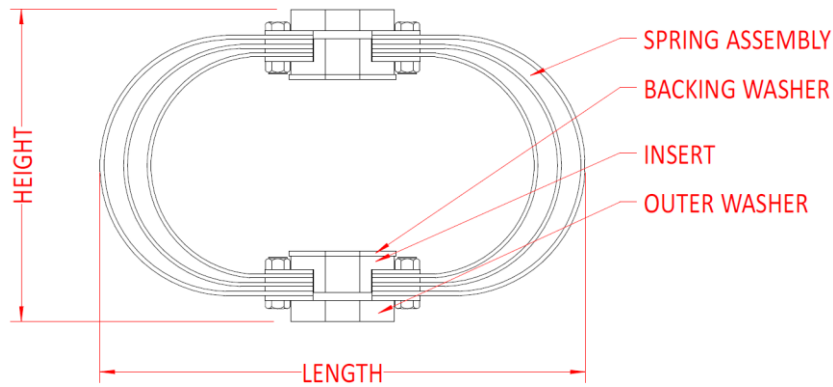
The Type 'XM' mount can be installed in any orientation allowing equipment to be mounted to the deck, bulkhead, or deck head. Combinations can also be used where equipment geometry requires it e.g. equipment mounted to the deck and to the bulkhead.

The 'XM' mount uses a simple single bolt fixing method on each side of the mount which facilitates the installation of the equipment on board ship.



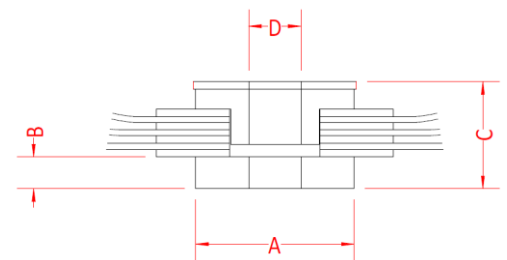
SHIFTEC

Type 'XM'



Part Number	NATO Stock Number	Nominal Rating	Supported Mass Range	Dimensions, mm					Approx. weight
				Height Loaded	Height Unloaded	Length	Width	Bolt Clearance	
			kg						kg
14/900MESH	Not allocated	10	9 – 18	107	114	203	51	M8	0.68
14/901MESH	Not allocated	20	13 – 35	106	114	203	51	M8	0.8
14/902MESH	Not allocated	45	35 – 55	124	133	216	51	M12	1.02
14/903MESH	Not allocated	70	55 – 90	124	133	216	51	M12	1.13
14/904MESH	Not allocated	110	90 – 135	122	133	216	51	M12	1.25
14/905MESH	Not allocated	180	135 – 250	185	190	297	102	M20	5.9
14/906MESH	Not allocated	320	250 – 380	186	190	297	102	M20	6.58
14/907MESH	Not allocated	450	380 - 550	184	190	297	102	M20	7.26

Rating	Dimensions, mm			
	A	B	C	D
kg				
10, 20	31.8	9.5	21.5, 22.5	9
45, 70, 110	31.8	9.5	23.8, 24.8, 26.2	13
180, 320, 450	63.5	12.7	39, 41, 43	21



DEFENCE DYNAMICS

shiftec.com

Neachells Lane, Willenhall, West Midlands, WV13 3SN, United Kingdom

T: +44 (0) 1902 308 000

E: sales.dd@shiftec.com

MEMBER OF



While care has been taken to ensure that the information contained in this publication is accurate, we do not accept responsibility or liability for information which is found to be misleading. Specifications can change without notice.