



# BRIEF INFORMATION

## DuraRAY 4.0

- Sensor-controlled automatic day time / night time level: optimum warning, no dazzle!
- Rotates or flashes – as required.
- Double lighting system
- Large light exit area

## PRODUCT FEATURES

### **2.0 Brightness levels**

The integrated light sensor automatically toggles between day and night mode. This guarantees the best possible warning effectiveness.

### **2.0 Types of warning signal**

First HELLA beacons where you can choose, by switch or programming, between rotating or flashing warning signals.

### **Double lighting system**

The double lighting system in the DuraRAY 4.0 increases the light exit area, so producing an especially strong warning effect.

### **Vibration resistance**

The beacons have been developed without any moving parts and are therefore optimally protected against strong vibrations and shocks.

### **Low life cycle costs**

Maintenance-free beacon with a very long design life.

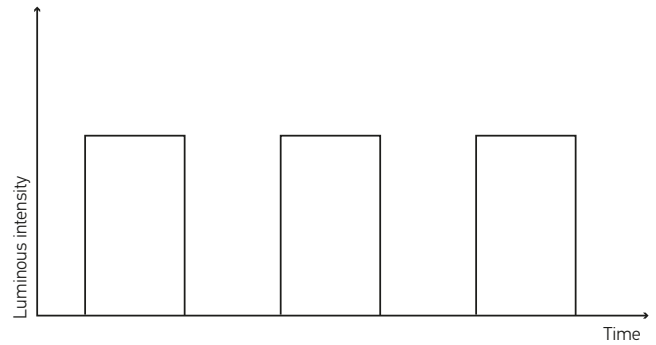
### **High-quality corrosion protection**

The housing is passivated and then powder coated. The beacon's corrosion protection is tested with a special salt spray for a period of 1000 hours.

# PRODUCT BENEFITS

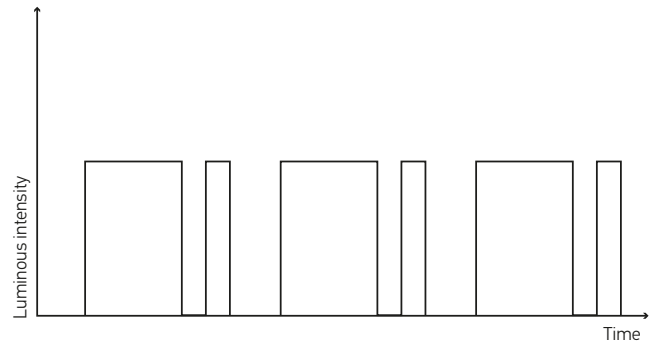
- Automatic day time / night time level: sensor measures the ambient brightness and controls the changeover between day time / night time levels by means of the measured values. Providing an optimum service during the day and not dazzling anyone at night.
- Signal: flashing or rotating. With a fixed attachment you can choose between switch or programming. With magnetic attachment, you can choose between rotating and flashing warning signal by programming.
- Intelligent and powerful electronics: programmable for a wide range of flashing sequences or changeover to rotating function, multi-voltage function.
- Operational safety by means of 12 / 24 V polarity reversal and overvoltage protection.
- Ideal for permanent use, thanks to low current consumption.
- Ideal light output and focusing through the use of a special reflector and 40 high-power LEDs.
- Very robust and vibration-resistant: no moving parts, extremely flat design and impact-resistant dome.
- High-quality corrosion protection: by means of special finishing and coating of the housing. This provides a considerable degree of protection against aggressive media like salt and lyes.
- Cooling fins for an optimum thermal management to ensure the long design life.
- Assembly possible from below on bolt circle Ø 130 mm and from below and above on bolt circle Ø 150.

## Rotating light function



Homogenous illumination with rapid increase in the light values, signal is clearly visible.

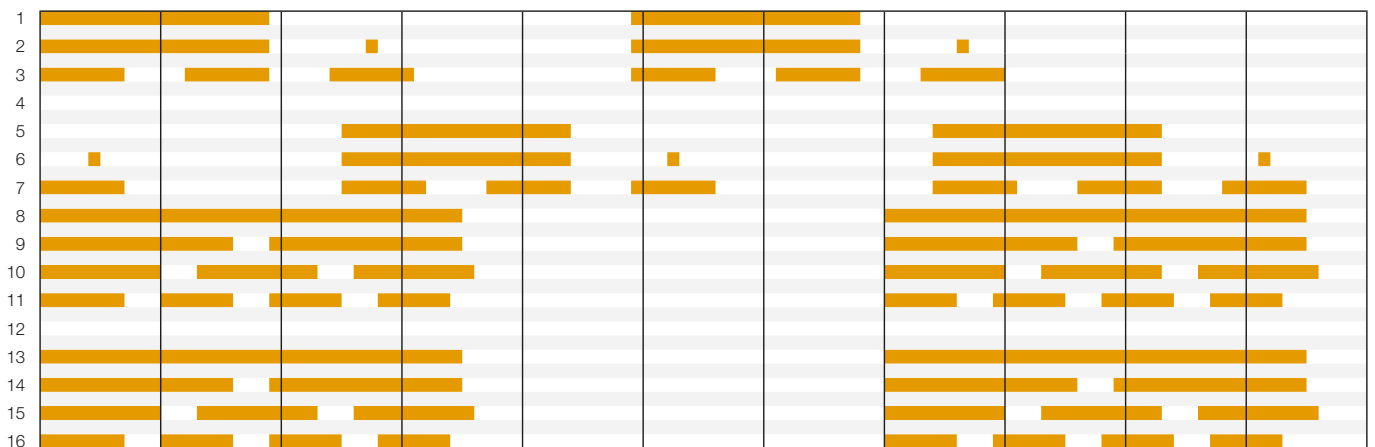
## Flashing function



Intensive perception thanks to double-flash signal,

360° warning effect, rapid increase in light values, signal is clearly visible.

## 16 different warning signals



4 and 12 = rotating warning signals

Orange = on

White = off

# TECHNICAL DETAILS

## Technical data

Rated voltage ( $U_N$ )	Multivolt
Operating voltage ( $U_o$ )	10–30 V
Total current consumption	12V: 2,6 A 24V: 1,3 A
Power consumption	32 W
Dome	Polycarbonate
Operating position	Upright
Temperature range	-40 °C to +60 °C
Polarity reversal protection	yes
Installation	Ø 130 mm Ø 150 mm (SAE)
Degree of protection	IP 6K7, IP 6K9K
EMC	ECE R10, RCM
SAE	SAE J845 class 1

## Type approval

### Rotating function

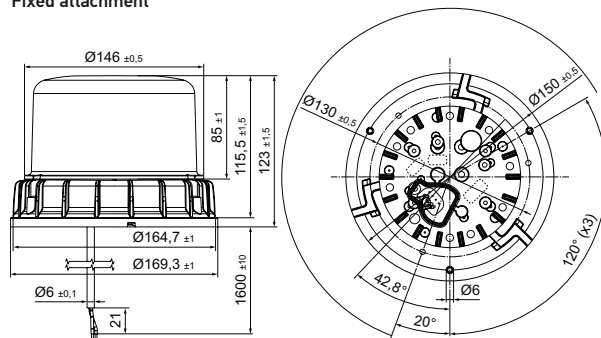
Lighting technology homologation, amber	TA1		R65 004509
Lighting technology homologation, blue	TB1		R65 004510
Lighting technology homologation, red	TR1		R65 004511

### Flashing function

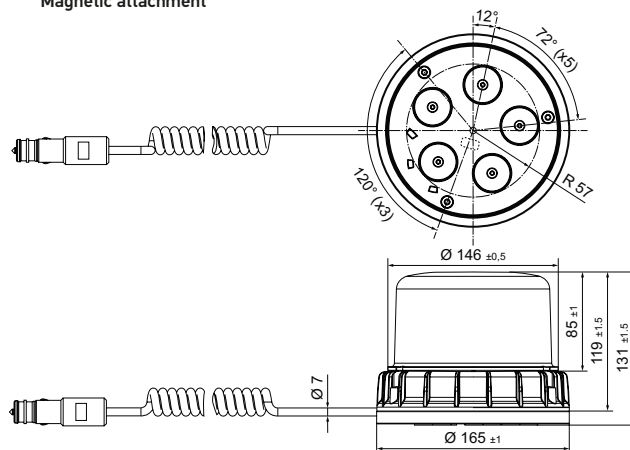
Lighting technology homologation, amber	TA2		R65 004512
Lighting technology homologation, blue	TB2		R65 004513
Lighting technology homologation, red	TR2		R65 004514

## Dimensioned sketches

### Fixed attachment



### Magnetic attachment



# RANGE OVERVIEW



Product picture	Part number	Description
	2XD 012 985-001	DuraRAY 4.0 fix, amber
	2XD 012 985-011	DuraRAY 4.0 fix, blue
	2XD 012 985-021	DuraRAY 4.0 fix, red
	2XD 012 985-031	DuraRAY 4.0 fix, green
	2XD 012 985-041	DuraRAY 4.0 fix, white
	2XD 012 985-101	DuraRAY 4.0 magnet, amber
	2XD 012 985-111	DuraRAY 4.0 magnet, blue
	2XD 012 985-121	DuraRAY 4.0 magnet, red
	2XD 012 985-131	DuraRAY 4.0 magnet, green
	2XD 012 985-141	DuraRAY 4.0 magnet, white