



For off-road applications only

# BRIEF INFORMATION

## Off-road headlamps LED Light Bar 470 Combi

→ Headlamp with 2 light beams: wide / long-range

### PRODUCT FEATURES

- LED headlamp designed as a compact light strip with discreet appearance
- The long-range and extremely wide illumination options can be activated separately or together
- With bright, high-power LEDs: for more illuminated surface area than that of the high beam in the headlamp
- Developed for the particular requirements of off-road vehicles
- Only for off-road applications and for use as a work light – not approved for use in road traffic
- Fording ability (submersible up to 10 m water depth, up to 2 hours), IP 6K7 and IP X9K
- Low profile and low weight < 1,000 g – for a variety of mounting options
- Effective heat dissipation from the LED electronics via the thermo-conductive plastic housing
- Multi-voltage: 9 – 33 V for 12 V and 24 V electrical systems, power consumption only 2 x 18 W
- CE type-tested

### SCOPE OF SUPPLY

- Individual light with a 3-pin connecting cable 2,500 mm (with open ends)
- With 2 universal brackets
- Integral LED light sources
- Mounting instructions with drilling template

### RANGE OVERVIEW

**LED Light Bar 470 Combi, multi-voltage 12/24 V, 2 x 18 W**

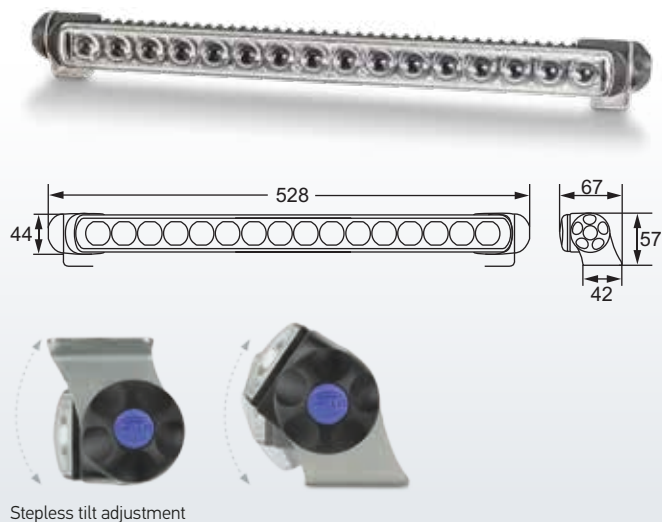
**With universal bracket**

Off-road headlamps

**1GJ 958 130-461**

# LED LIGHT BAR 470 COMBI

- Includes 2 universal brackets  
(also available as spare part set 8HG 958 139-841)
- Continuously adjustable for all mounting positions
- Suitable for upright mounting, pendant mounting, and mounting on surfaces at any angle
- Compact and with many different mounting options
- With drilling template for easy mounting
- Weight: 995 g



## ACCESSORIES – SHEET METAL BRACKET

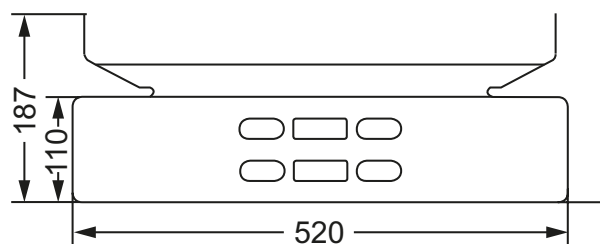
- Only suitable for LED Light Bar 470 Combi (1GJ 958 130-461)
- Made of black-coated, 2 mm-thick sheet steel
- Weight without headlamp: 1,070 g
- Only for off-road applications – not suitable for use at the front on public roads

## SCOPE OF SUPPLY

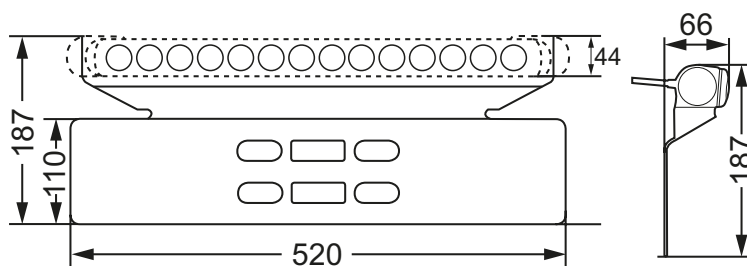
### Accessories

1 x sheet metal bracket, black

8HG 226 252-001



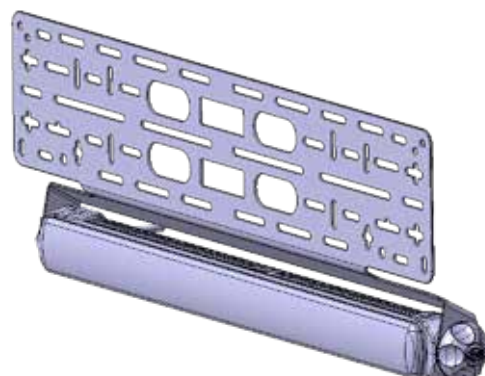
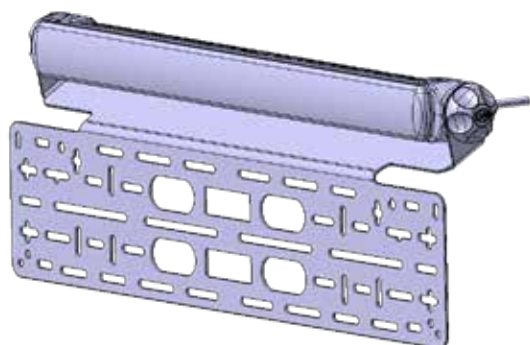
Frontal without LED Light Bar 470 Combi



Frontal with LED Light Bar 470 Combi

Side

## MOUNTING POSITIONS



## SPARE PARTS / ACCESSORIES



### Spare part - Universal Bracket

Universal bracket including 2 stainless steel mounting brackets

**8HG 958 139-841**



### Accessories - Bracket for Double Mounting one above the other

2 x stainless steel double-mounting brackets (for combination with 8HG 958 139-071)

**8HG 958 128-811**

Mounting brackets enable continuously variable illumination adjustment.



### Accessories - connecting element

2 x connecting element (plastic)  
1 x M8 (20 mm) stainless steel cheese-head screw

**8HG 958 139-881**

The connector set makes it easier to horizontally mount multiple LED Light Bars and to align them exactly without any differences in the level.



### Spare Part

Can also be used in combination with individual mounting brackets

**8HG 958 139-071**

Please order 2 units per headlamp.



### Accessories - protective caps for LED Light Bars 470

Protective cap, transparent

**8XS 958 337-021**

Protective cap, amber (transparent)

**8XS 958 337-031**

Protective cap, black (with white HELLA logo)

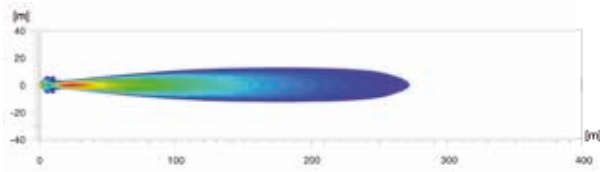
**8XS 958 337-111**

The use of protective caps is not permitted within areas governed by the German Road Licensing Regulations (StVZO). Please observe the valid regulations.

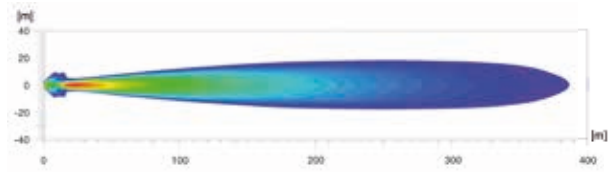
# SWITCHING OPTIONS AND LIGHT DISTRIBUTIONS



Long-range illumination



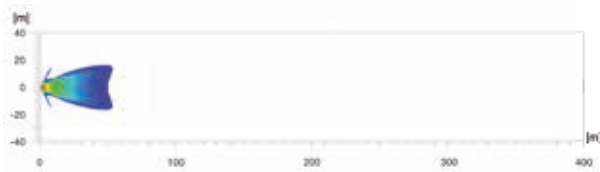
1 High-beam headlamp active



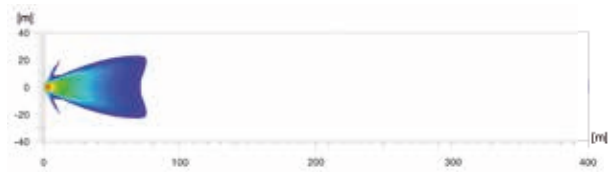
2 High-beam headlamp active



Close-range illumination (wide)



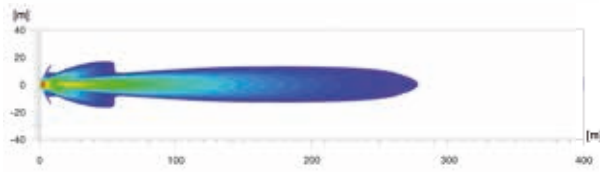
1 High-beam headlamp active



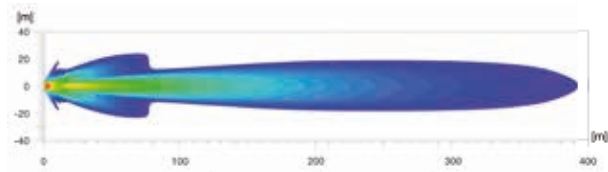
2 High-beam headlamp active



Combination illumination



1 High-beam headlamp active



2 High-beam headlamp active



## Lux is the unit used to measure illuminance

It specifies the luminous flux emanating from the light source that strikes a specific surface. For example, an office workplace should be illuminated with at least 500 lux, and the human eye can still read a newspaper without any problems at 1 lux. The values under the lux bar indicate where the corresponding illuminance is achieved on the light distribution diagrams.

## Reference no. (Ref.)

The reference number (Ref.) is a figure that applies to a high-beam headlamp. According to the ECE regulation, this reference number must not exceed the upper limit of 100 per vehicle. In this case, the two values of the standard high beam (left and right headlamp) are added to the values of other mounted high-beam headlamps. The value is entered on the lens of approved headlamps.



See the Light!  
Auxiliary lamps from HELLA. The right light for every application. Try them out online now!

[www.hella.com/upc](http://www.hella.com/upc)

[www.hella.com/offroad](http://www.hella.com/offroad)