



## BRIEF INFORMATION

### Module 70 LED Generation 3.2

- Successor to the successful Module 70 LED Generation 3
- More than twice as much light despite its compact design
- Innovative LED technology

## PRODUCT FEATURES

With the Module 70 LED Generation 3.2, HELLA has succeeded in giving the established Module 70 Generation 3 a lighting upgrade. Equipped with 3 high-power, multichip LEDs, the Module 70 LED now generates a measured amount of 1,800 lumens while consuming just 20 watts of energy. (As a comparison, the 3rd generation had only 800 lumens). The black housing of this work light is made of aluminium and incorporates cooling fins. These ensure the necessary dissipation of the heat produced by the high-power LEDs.

Now, for the first time, as well as the standard cable model, the compact Module 70 LED Generation 3.2 also comes with an integrated DEUTSCH connector. The electronics of the Module 70 LED are multi-voltage compatible and can therefore be operated with a 12 or 24-volt power supply. The integrated electronics protect the device in the event of polarity inversion and guarantee constant brightness, even when operating voltage fluctuates between 9 and 33 volts. Temperature sensors additionally protect the work light from overheating. Only in this way can the long service life of the LEDs and a safe working environment at night be guaranteed.

The light beams of the LEDs homogeneously illuminate the work area thanks to the multifaceted reflector and the lens. Despite its compact design, this is a very much more robust work light that can be used in many applications.

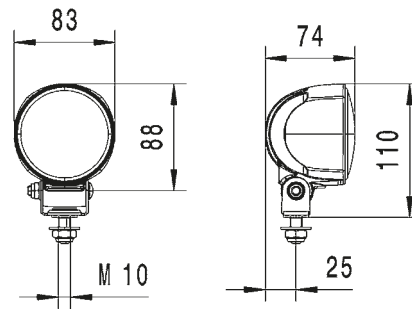
With a colour temperature of 6,500° Kelvin, the light from the LED work light is very similar to daylight. Such a feature helps to distinguish colours more easily in the dark, thus considerably facilitating the human eye's sensory perception task while at the same time combating fatigue.

# TECHNICAL DETAILS

## Technical data

Operating Voltage / Rated voltage	9–33 V
Power Consumption	20 W
Light Output	1,800 lumens
Light Source Type	3 high-power LEDs
Colour Temperature	6,500 Kelvin
Housing	Aluminium die cast
Mounting	Upright, pendant
Protection	Overheating, reversal polarity
Protection class	IP 6K9K, IP 6K8
Type approval	ⓂECE R10, RCM
Weight	525 g
Manufactured in	Austria

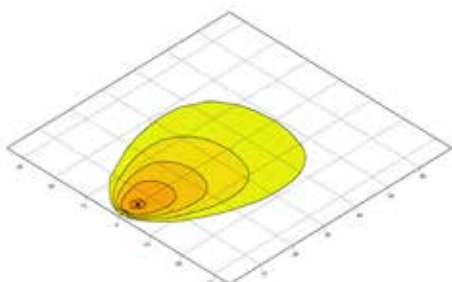
## Dimensional sketch



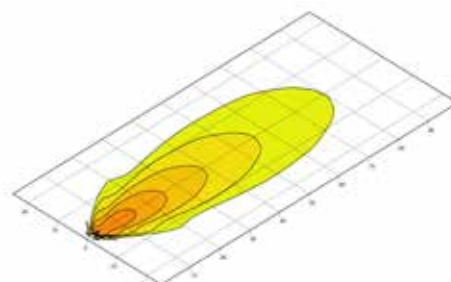
## Range overview

1G0 996 576-...	-031	-041	-001	-011
Close-range illumination	X	X	-	-
Long-range illumination	-	-	X	X
Mounting	36 mm metal bracket			
Connection	2,000 mm cable	DEUTSCH connector	2,000 mm cable	DEUTSCH connector
Glass lens	X	X	X	X

## LIGHT DISTRIBUTION



Close-range illumination



Long-range illumination

