

INSTRUCTION SHEET
for: **2BM 980 990-1xx**

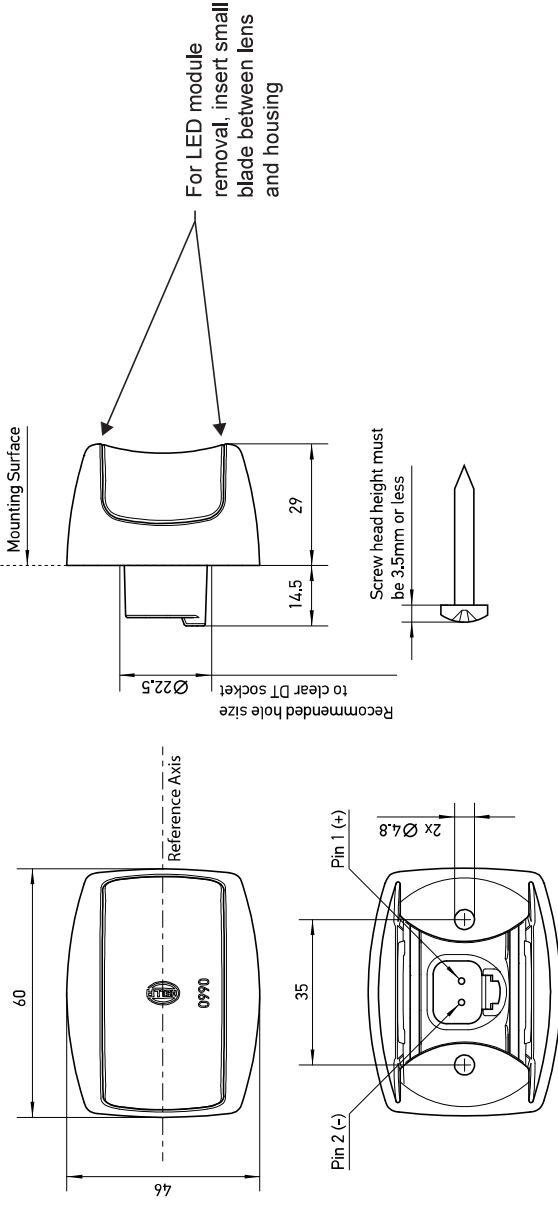


APPLICATION AND MOUNTING INSTRUCTIONS
DuraLED® SUPPLEMENTARY SIDE DIRECTION INDICATOR LAMP (CAT. 5)

Multivolt (Suitable for 12 and 24 volt systems)
Lens Marking and Installation Requirements

This Supplementary Side Direction Indicator Lamp, identified by lens marking (E24) 0067 and the HELLA logo was manufactured to comply with ECE Regulation 6 for Direction Indicators (Category 5).

- Lamp reference axis must be horizontal.
 - Mounting surface must be vertical to the ground and be parallel to the vehicle longitudinal axis.
- Please refer to ECE Regulation 48 for more details.



Lamp Mounting Instructions

- Lamp should be mounted on a flat surface.
- The housing may be used as a template for the mounting holes. Do not mount the lamp where damage is likely to be sustained due to tie-downs and other securing devices.
- Drill two holes up to Ø5 mm at 35mm centres.
- A minimum hole size of Ø22.5 mm is required for the Deutsch 2-way socket in the backplate.
- Mount the housing using Ø4 mm screws or bolts with maximum head height of 3.5mm (not included).
- Prepare the lamp cable (not supplied) using the correct plug connector (Deutsch P/N DT06-2S), wedge (Deutsch P/N W2S) and terminals (Deutsch P/N 0462-201-16141).
- Push the LED module firmly into the housing until it snaps into position.

LED Module Instructions

The LED module is securely fastened to prevent dislodging in service, and removal would not normally be required. If it becomes necessary to remove the module, insert a small blade on both sides of the LED module and the housing at the correct position and prise the module free from the housing (See diagram above).

Note: The LED module is fully sealed and has no serviceable components.

Wiring Colour Coding

The LED lamp is multi voltage capable for optimum brightness in 12 and 24 Volt systems. Lamp is polarity conscious. The reversal of the polarity will not damage this product but will inhibit its function. HELLA recommends wire connections be soldered, and heat shrink tubing applied to seal the joint.

Pin No.	Connect to	Power Consumption
1	Positive (+)	< 1W
2	Earth (-)	-

NB: Lamp must be protected by a fuse rated at 2 amperes maximum.

Compatibility to existing electrical systems

It is important for the installer to ascertain the compatibility of the low power consumption LED lamps with the electrical and/or electronic systems of the complete vehicle, including trailers. In most cases the reduced power consumption is beneficial by imposing less demands on the entire electrical system.

For certain functions some electrical systems rely on a set power consumption for monitoring whether, for example, a trailer is connected.

Operation of this lamp using alternating current or modulated direct voltage will cause premature light failure. HELLA recommends connecting ADR or ECE certified Multivolt LED signal and marker lamps to a continuous (unmodulated) 12V or 24V power supply to ensure safe light operation.

INSTRUCTION SHEET
for: **2BM 980 990-1xx**

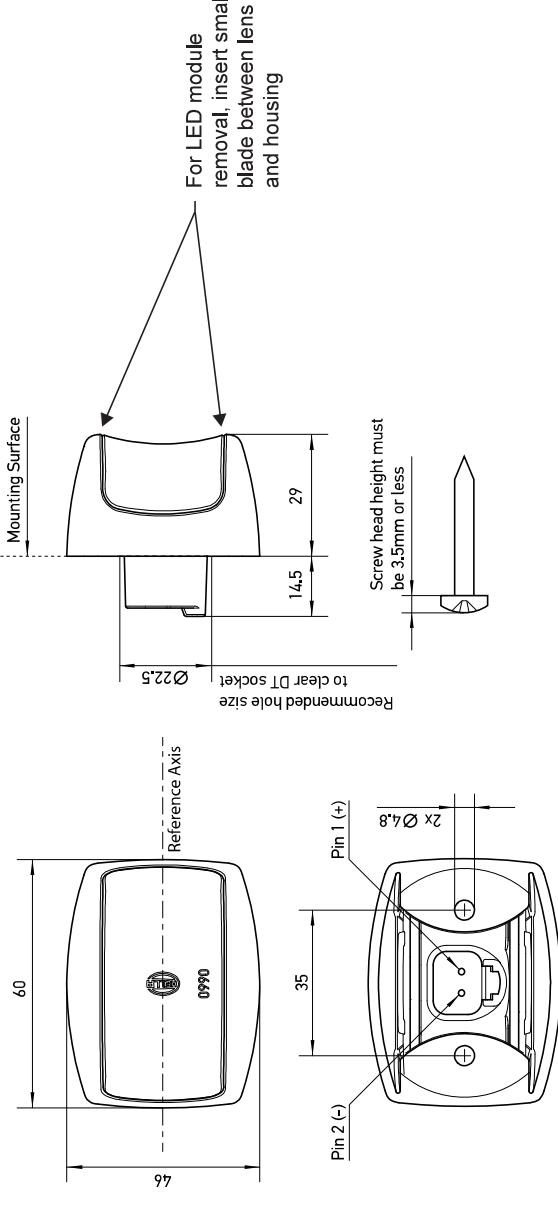


APPLICATION AND MOUNTING INSTRUCTIONS
DuraLED® SUPPLEMENTARY SIDE DIRECTION INDICATOR LAMP (CAT. 5)

Multivolt (Suitable for 12 and 24 volt systems)
Lens Marking and Installation Requirements

This Supplementary Side Direction Indicator Lamp, identified by lens marking (E24) 0067 and the HELLA logo was manufactured to comply with ECE Regulation 6 for Direction Indicators (Category 5).

- Lamp reference axis must be horizontal.
 - Mounting surface must be vertical to the ground and be parallel to the vehicle longitudinal axis.
- Please refer to ECE Regulation 48 for more details.



Lamp Mounting Instructions

- Lamp should be mounted on a flat surface.
- The housing may be used as a template for the mounting holes. Do not mount the lamp where damage is likely to be sustained due to tie-downs and other securing devices.
- Drill two holes up to Ø5 mm at 35mm centres.
- A minimum hole size of Ø22.5 mm is required for the Deutsch 2-way socket in the backplate.
- Mount the housing using Ø4 mm screws or bolts with maximum head height of 3.5mm (not included).
- Prepare the lamp cable (not supplied) using the correct plug connector (Deutsch P/N DT06-2S), wedge (Deutsch P/N W2S) and terminals (Deutsch P/N 0462-201-16141).
- Push the LED module firmly into the housing until it snaps into position.

LED Module Instructions

The LED module is securely fastened to prevent dislodging in service, and removal would not normally be required. If it becomes necessary to remove the module, insert a small blade on both sides of the LED module and the housing at the correct position and prise the module free from the housing (See diagram above).

Note: The LED module is fully sealed and has no serviceable components.

Wiring Colour Coding

The LED lamp is multi voltage capable for optimum brightness in 12 and 24 Volt systems. Lamp is polarity conscious. The reversal of the polarity will not damage this product but will inhibit its function. HELLA recommends wire connections be soldered, and heat shrink tubing applied to seal the joint.

Pin No.	Connect to	Power Consumption
1	Positive (+)	< 1W
2	Earth (-)	-

NB: Lamp must be protected by a fuse rated at 2 amperes maximum.

Compatibility to existing electrical systems

It is important for the installer to ascertain the compatibility of the low power consumption LED lamps with the electrical and/or electronic systems of the complete vehicle, including trailers. In most cases the reduced power consumption is beneficial by imposing less demands on the entire electrical system.

For certain functions some electrical systems rely on a set power consumption for monitoring whether, for example, a trailer is connected.

Operation of this lamp using alternating current or modulated direct voltage will cause premature light failure. HELLA recommends connecting ADR or ECE certified Multivolt LED signal and marker lamps to a continuous (unmodulated) 12V or 24V power supply to ensure safe light operation.



Mounting Instruction

Anbauanweisung

03.02.2015

HELLA KGaA Hueck & Co.

Type: **2BM 980 990**
Typ:

Belongs to approval no.: **E24 0067**
Gehört zu Gen.-Nr.:

Supplementary Side Direction Indicator for Automobile
Zusätzlicher seitlicher Fahrtrichtungsanzeiger für Kraftfahrzeuge

Light source(s):
Lichtquelle(n):

2 LEDs

Test voltage: **13.5 V or / oder** Nominal voltage: **12 V or / oder** Nominal wattage: **< 1 W**
Prüfspannung: **28 V** Nennspannung: **24 V** Nennleistung:

- ⊠ = Centre of reference in accordance with the ECE-Regulation – No. 6.
Bezugspunkt nach der ECE-Regelung – Nr. 6.
- ⬠ = Centre of reference for the definition for light-emitting surface in accordance with the Council Directive 76/756 EEC or ECE-Regulation No. 48 (see Annex A).
Bezugspunkt zur Bestimmung der Grenzen der Lichtaustrittsfläche nach 76/756 EWG bzw. ECE-Regelung Nr. 48. Markierung s. auf der Abschluss-Scheibe. Maße s. Anlage A.

Axis of reference: **Parallel to the car centre line and parallel to the road.**
Bezugsachse: **Parallel zur Fahrzeuglängsachse und parallel zur Fahrbahn.**

The lamp can be mounted 180° round the reference axis.
Die Leuchte darf auch 180° um die Bezugsachse eingebaut werden.

Mounting of the left hand unit is illustrated. Right hand unit to be mounted mirror inverted.
Einbau des linken Gerätes dargestellt. Der Einbau des rechten Gerätes erfolgt spiegelbildlich.

The device must be mounted according to the enclosed fitting documents (e. g. sketch + Annex A).
Der An- bzw. Einbau der Geräte hat nach anliegenden An- bzw. Einbauunterlagen (z. B. Skizze und Anlage A) zu erfolgen.



Mounting Instruction

Anbauanweisung

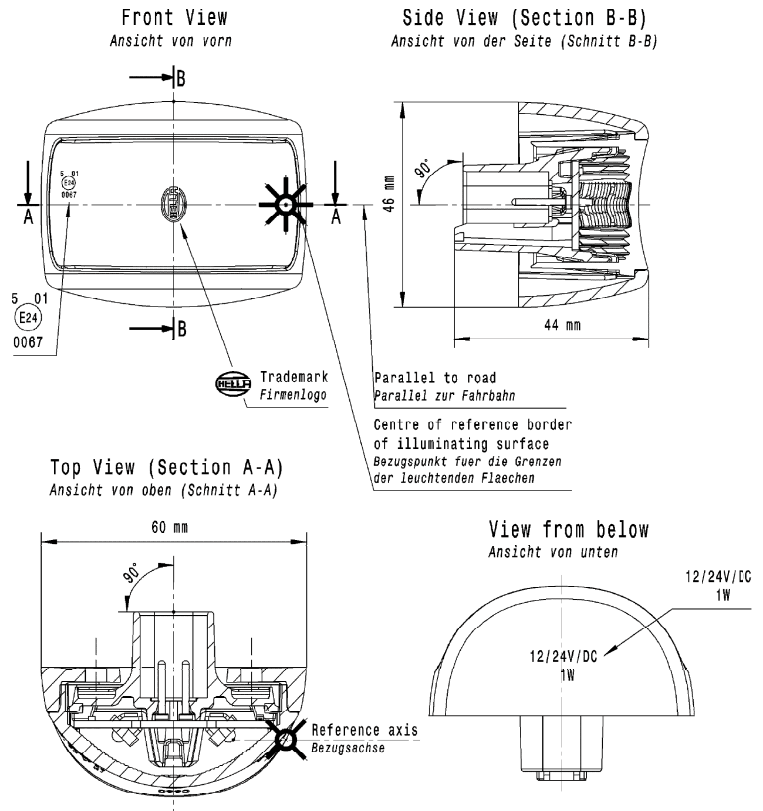
03.02.2015

HELLA KGaA Hueck & Co.

Type: **2BM 980 990**
Typ:

Belongs to approval no.: **E24 0067**
Gehört zu Gen.-Nr.:

Supplementary Side Direction Indicator for Automobile
Zusätzlicher seitlicher Fahrtrichtungsanzeiger für Kraftfahrzeuge



The device must be mounted according to the enclosed fitting documents (e. g. sketch + Annex A).
Der An- bzw. Einbau der Geräte hat nach anliegenden An- bzw. Einbauunterlagen (z. B. Skizze und Anlage A) zu erfolgen.



Mounting Instruction

Anbauanweisung

03.02.2015

HELLA KGaA Hueck & Co.

Type: **2BM 980 990**
Typ:

Belongs to approval no.: **E24 0067**
Gehört zu Gen.-Nr.:

Supplementary Side Direction Indicator for Automobile
Zusätzlicher seitlicher Fahrtrichtungsanzeiger für Kraftfahrzeuge

Light source(s):
Lichtquelle(n):

2 LEDs

Test voltage: **13.5 V or / oder** Nominal voltage: **12 V or / oder** Nominal wattage: **< 1 W**
Prüfspannung: **28 V** Nennspannung: **24 V** Nennleistung:

- ⊠ = Centre of reference in accordance with the ECE-Regulation – No. 6.
Bezugspunkt nach der ECE-Regelung – Nr. 6.
- ⬠ = Centre of reference for the definition for light-emitting surface in accordance with the Council Directive 76/756 EEC or ECE-Regulation No. 48 (see Annex A).
Bezugspunkt zur Bestimmung der Grenzen der Lichtaustrittsfläche nach 76/756 EWG bzw. ECE-Regelung Nr. 48. Markierung s. auf der Abschluss-Scheibe. Maße s. Anlage A.

Axis of reference: **Parallel to the car centre line and parallel to the road.**
Bezugsachse: **Parallel zur Fahrzeuglängsachse und parallel zur Fahrbahn.**

The lamp can be mounted 180° round the reference axis.
Die Leuchte darf auch 180° um die Bezugsachse eingebaut werden.

Mounting of the left hand unit is illustrated. Right hand unit to be mounted mirror inverted.
Einbau des linken Gerätes dargestellt. Der Einbau des rechten Gerätes erfolgt spiegelbildlich.

The device must be mounted according to the enclosed fitting documents (e. g. sketch + Annex A).
Der An- bzw. Einbau der Geräte hat nach anliegenden An- bzw. Einbauunterlagen (z. B. Skizze und Anlage A) zu erfolgen.



Mounting Instruction

Anbauanweisung

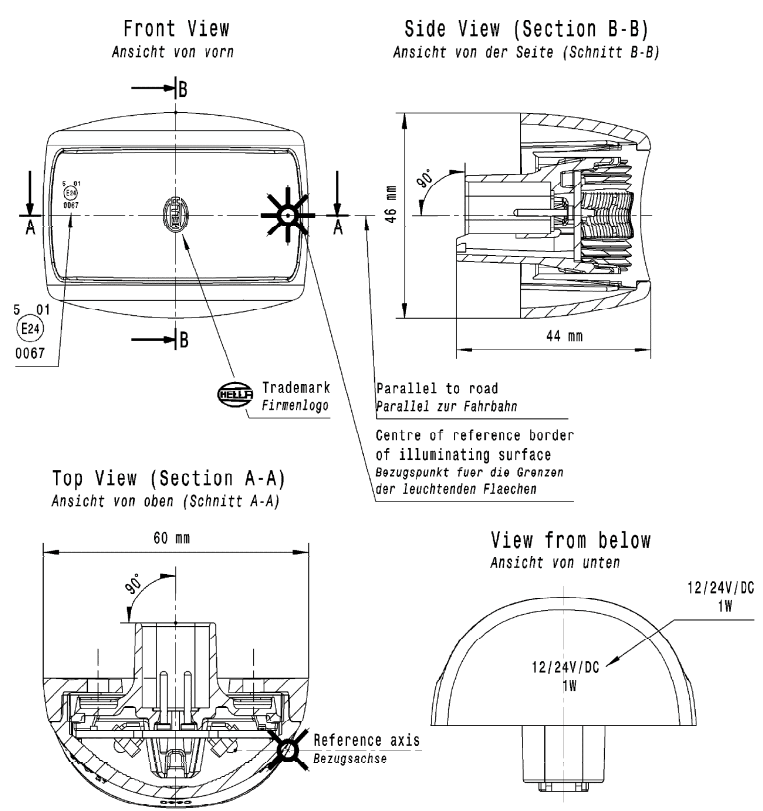
03.02.2015

HELLA KGaA Hueck & Co.

Type: **2BM 980 990**
Typ:

Belongs to approval no.: **E24 0067**
Gehört zu Gen.-Nr.:

Supplementary Side Direction Indicator for Automobile
Zusätzlicher seitlicher Fahrtrichtungsanzeiger für Kraftfahrzeuge



The device must be mounted according to the enclosed fitting documents (e. g. sketch + Annex A).
Der An- bzw. Einbau der Geräte hat nach anliegenden An- bzw. Einbauunterlagen (z. B. Skizze und Anlage A) zu erfolgen.