



You'd like more information?
Please scan the QR code or click on
it straight away.

BRIEF INFORMATION

LED combination lamp LEDayFlex III

- Three LED light functions in one module: Daytime running light, position light and direction indicator
- Particularly homogeneous appearance thanks to EdgeLight technology
- Individual vehicle design due to the light modules' high modularity and flexibility
- For the most diverse applications and the highest demands

PRODUCT FEATURES

The third generation of the LED combination lamp combines three light functions in one module: daytime running light, position light and direction indicator. The LEDayFlex III uses the modern EdgeLight technology for the first time.

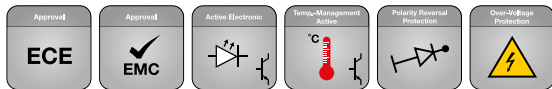
With EdgeLight, the light from the LEDs runs through a light guide to a narrow edge, where the light is bundled and emitted. This gives the lamps a particularly homogeneous appearance. The LEDayFlex III LED combination lamp consists of three to five light modules that can be positioned horizontally, vertically or diagonally. This facilitates many different designs.

In addition to its high modularity and flexibility, the LEDayFlex III offers a number of other advantages: for example, the sides of the modules are also illuminated, and a depth effect can also be realised with EdgeLight technology. The direction indicator is available with a wiper function on request.

Overall, the LEDayFlex III LED combination lamp features a striking, linear design that is just as suitable for motorhomes and buses as for electric cars, Sprinters or motorway construction machinery.

The special signal pattern of the daytime running lamps is easier to recognise in road traffic during the day than normal low beam, helping to reduce the risk of accidents.

TECHNICAL DETAILS

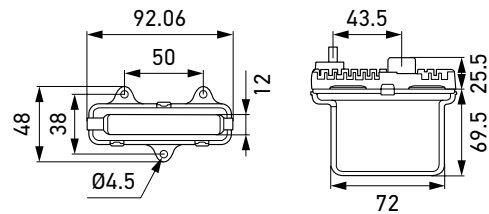


Technical data

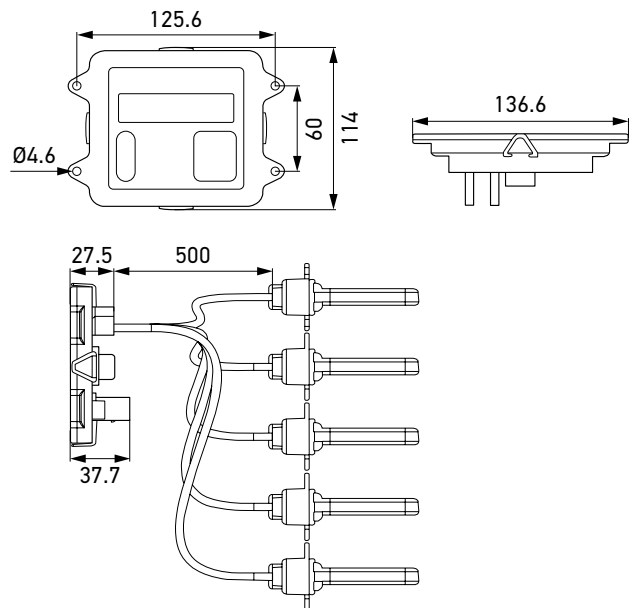
Operating voltage	Multi-voltage (9 – 32 V)			
Rated voltage	12 / 24 V			
Current consumption	3 modules	9 V	32 V	
	Direction indicator	1.100 mA	360 mA	
	Daytime running light	1.100 mA	360 mA	
	Position light	170 mA	85 mA	
	4 modules	9 V	32 V	
	Direction indicator	1.500 mA	470 mA	
Power consumption	5 modules	9 V	32 V	
	Direction indicator	1.800 mA	580 mA	
	Daytime running light	1.800 mA	580 mA	
	Position light	275 mA	130 mA	
		3 modules	4 modules	5 modules
	Direction indicator	11,5 W	15 W	18,5 W
Daytime running light	11,5 W	15 W	18,5 W	
Position light	2,7 W	3,4 W	4,2 W	
Light function	Daytime running light, position light, direction indicator			
Light source	LED			
Material	Lens: PMMA Housing: Polycarbonate			
Weight	3 modules: ~ 700 g 4 modules: ~ 870 g 5 modules: ~ 1040 g			
Protection class	IP X9K, IP X4K, IP 5KX			
Type approval	ECE-R148			
EMC protection	ECE-R10, CISPR25 Class 5*			
Specification	HELLA standard 67101 Classes 1.1, 1.2, 3.1, 3.2, 4.1, 6.1, 6.3			
Mounting	Integrated fastening clips and screws			
Connection	DEUTSCH or FEP connector			

Dimensional sketch

Module






Control unit



* In some frequency ranges CISPR25 Class 4.

PROGRAM OVERVIEW

Product image	Number of modules	Direction indicator with wiping function	Connection	Part number
	3 modules	No	FEP connector	2BE 016 400-301
			DEUTSCH connector	2BE 016 400-341
	4 modules	No	FEP connector	2BE 016 400-401
		Yes, left	FEP connector	2BE 016 400-411
		Yes, right	FEP connector	2BE 016 400-421
	5 modules	No	FEP connector	2BE 016 400-501

Other variants available on request.