



To the product video

BRIEF INFORMATION

Bi-LED low beam and high beam headlamp L 4565 – Essential

- Excellent low beam and high beam from a single headlamp module
- Design freedom thanks to a modular system
- For the most diverse applications and the highest demands

PRODUCT FEATURES

The Bi-LED headlamp is part of the HELLA 90 mm module series and combines low and high beam in one module. With its excellent lighting performance, the module replaces the 1st and 2nd generation of Bi-LED modules (L 70 and L 5570) as their successor.

The die-cast aluminium housing and the robust design allow it to be used in harsh environments and under special demands. In addition to its high vibration resistance, which makes this product ideal for use in construction machinery, the Bi-LED module with IPx9K protection class withstands high pressure and steam cleaning.

Thanks to the built-in polarity reversal protection, the lamp is not damaged even if the connection is accidentally reversed. In addition, the module's thermal management maximises its lifetime. Full functionality is guaranteed even at temperatures as low as -40°C and as high as +60°C.

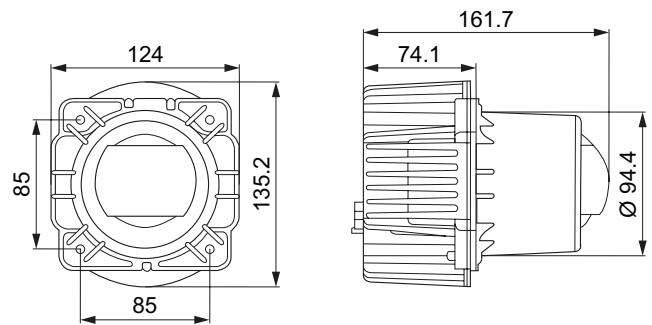
Thanks to the high colour temperature of 5,500 Kelvin, the illumination appears similar to daylight, and the driver sees much better and does not tire as quickly. This makes driving safe and more comfortable.

TECHNICAL DETAILS

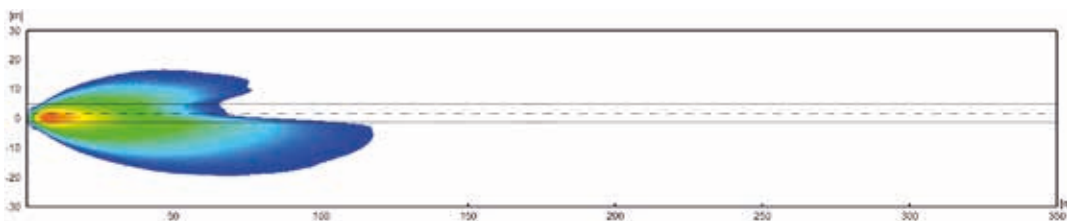
Technical data

Operating voltage range	Multi-voltage (9 – 32 V)
Current consumption	Low beam: 1.7 A (12 V) / high beam (low beam + high beam): 3.1 A (12 V)
Power consumption	Low beam: 20 W / high beam (low beam + high beam): 37 W
Rated voltage	12 / 24 V
Light function	Low beam High beam
Light source	LED
Weight	1,390 g
Colour temperature	5,500 Kelvin
Working temperature	-40°C to +60°C
Storage temperature	-40°C to +90°C
Protection class	IP5Kx, IPx9K, IPx4K
Approved	ECE-R149.00 Table 8, Class B, FMVSS 108, CCC
Conform	According to ECE R10: CISPR 25 Class 4 (interference suppression, conducted and radiated)
Protection	Polarity reversal protection
Connection	4-pin DEUTSCH connector

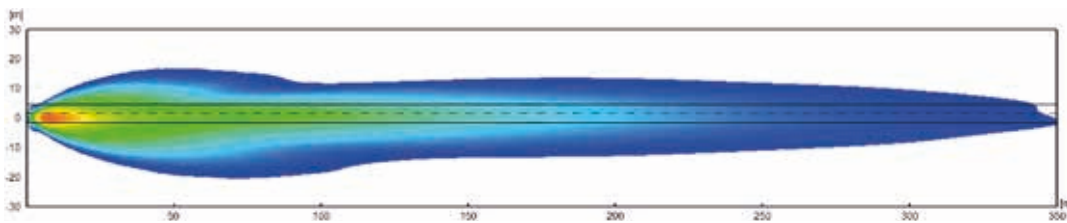
Dimensional sketch



LIGHT DISTRIBUTION



Low beam



High beam (including low beam)






PROGRAM OVERVIEW

Approval	Version	Fastening kit 9XX 236 655-011	Part number
ECE, CCC	Right-hand traffic	Available separately	1AL 015 318-001
		Pre-assembled	1AL 015 318-111
		Pre-assembled, carrier frame and levelling motor components* included	1AL 015 318-211
ECE	Left-hand traffic	Available separately	1LL 015 318-011
		Pre-assembled	1LL 015 318-131
		Pre-assembled, carrier frame and levelling motor components* included	1LL 015 318-231
SAE	-	Available separately	1AL 015 318-021
		Pre-assembled	1AL 015 318-151
		Pre-assembled, carrier frame and levelling motor components* included	1AL 015 318-251

* Levelling motor not included in scope of delivery

ACCESSORIES (and additional components)

Product image	Description	Part number
	Performance carrier frame for agricultural and truck applications	9AH 185 978-011
	Bracket for left-side mounting of actuator	8HG 138 620-007
	Bracket for right-side mounting of actuator	8HG 138 619-007