



BRIEF INFORMATION

Bi-LED low and high beam headlamp M133 LED (R149 Class B) „on highway“

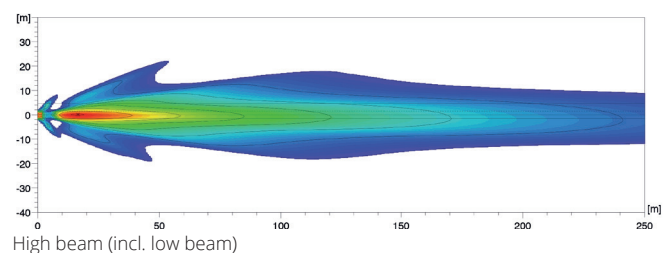
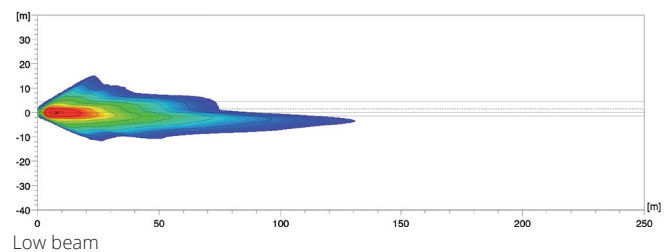
- › LED main headlamp for an easy switch from halogen to LED
- › Low beam and high beam in one headlamp
- › Robust die-cast aluminium housing

PRODUCT FEATURES

The Bi-LED low beam and high beam headlamp M133 LED (R149 Class B) „on highway“ from HELLA complies with ECE Directive R149 Class B, which regulates asymmetrical low beam for passenger cars, buses, commercial vehicles and most larger vehicles (on highway). Furthermore, the product replaces conventional headlamps made up of low beam and high beam one-to-one, meaning that it can be installed with minimal effort and in the shortest possible time (easy switch from halogen to LED technology).

The extremely robust die-cast aluminium housing of the Bi-LED low beam and high beam headlamp M133 LED (R149 Class B) is designed for use in all conditions and can easily withstand knocks and vibrations. Therefore, the headlamp always works reliably.

ILLUMINATION



TECHNICAL DETAILS

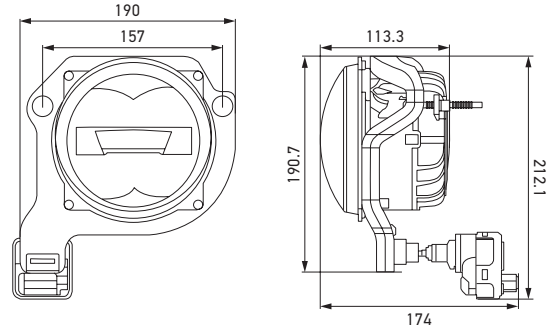


Technical data

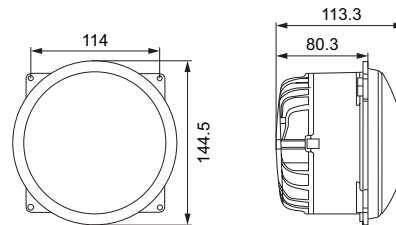
Operating voltage	Single-voltage (9.5 – 16 V)
Rated voltage	12 V
Light function	Low beam, high beam
Light source	LED
Colour temperature	5,700 K
Material	Lens: Glass Housing: Plastic Heat sink: Aluminium die casting
Weight	Module: 970 g Module + carrier frame: 1,270 g
Temperature range	-40 °C to +50 °C
Degree of protection	IP 6K7, IP 6K9K
Type approval	ECE-R10, ECE-R149.00
Mounting	Flush mounting
Connection	Integrated DEUTSCH connector
Manufactured in	Austria

Dimensional sketch

With pre-assembled carrier frame and headlamp levelling actuator



Without carrier frame



PROGRAM OVERVIEW

Product picture	Scope of delivery	Version	Variant	Part number
	With carrier frame, fastening material, and headlamp levelling actuator included	Right-hand traffic	Left	1A3 997 362-037
			Right	1A3 997 362-047
		Left-hand traffic	Left	on request
			Right	on request
	Without carrier frame and without fastening material	Right-hand traffic	-	9DW 333 223-011
		Left-hand traffic	-	on request
Accessories				
Carrier frame, left				9AH 333 946-011
Carrier frame, right				9AH 333 946-021