



BRIEF INFORMATION

LEDayFlex II rectangular
Modular LED daytime running lights with position light




Individual front light design with angular modules The system of flexibly interconnected rectangular modules opens up new design opportunities and also enables adaptation to suit the vehicle geometry through the use of the multi-faceted and diverse range of type-tested attachment systems. The individual modules are rectangular and each is approx. 19 mm x 42 mm in size. Each individual module contains two high-power LEDs. Light distribution involves the use of an integrated optical system. The module chains and the required control unit are offered separately.

PRODUCT BENEFITS

- Adaptation to the vehicle contour within the context of type-approved attachment systems
- Extremely low module installation depth
- Modern design combined with LED power
- Service life approx. 30 x longer than H7 light bulbs
- High-power LEDs for the best luminous power
- Lights up automatically when the ignition is switched on
- Optimum recognisability in road traffic with lights on during the day
- The special signal image of daytime running lights is easier to recognise in road traffic during the day than standard dipped beam, thus reducing the risk of accidents
- Saves wear on the normal lighting system*
- No increase in fuel consumption*
- Reduces exhaust emissions*

* compared with driving with low beam on

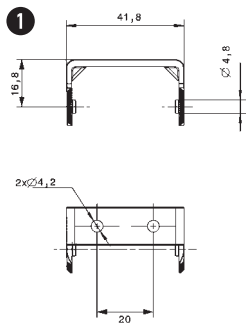
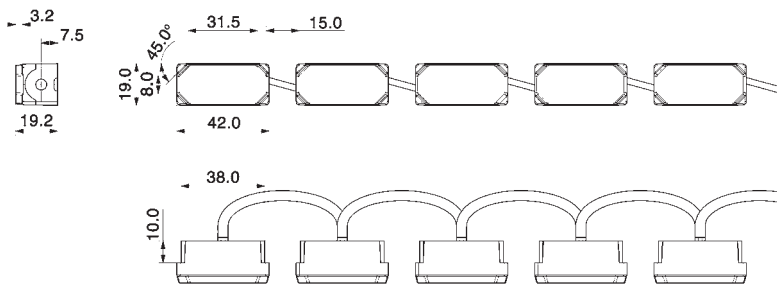
TECHNICAL SPECIFICATIONS

- **Light source:** high-performance LEDs for optimum lighting power, power intake of approx. 3.6 W (6 modules)
- **Cable length:** approx. 80 mm between the individual modules
- **Mounting:** using separate brackets (1 bracket per lighting module, each bracket being mounted with 2 retaining screws, individual modules plug into position)
- **Voltage:** 12 V / 24 V*
- **Type approval:** ECE  / SAE

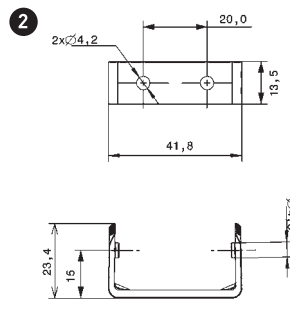
SCOPE OF DELIVERY

- Module chains with 5 or 6 modules are offered separately
- Brackets incl. fastening screws are available as a set of 10 or 12 brackets each
- Connecting cables and control units are available as a set

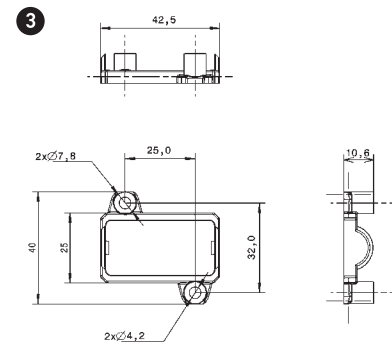
DIMENSIONS AND SAMPLE DESIGNS



Bracket for screw mounting, top



Bracket for reverse screw-mounting



Installation bracket

Design example



RANGE OVERVIEW

Product image	Description	Part number
	Module chain with 5 light modules	
	Daytime running light /position light, 12 V	2PT 980 789-051
	Daytime running light /position light, 24 V	2PT 980 789-051* 2PT 980 789-061*
	Accessories required for module chains	
	12 V control unit with connecting cables	8KA 959 186-901
	24 V control unit with connecting cables	8KA 959 186-911
	Module chain with 6 light modules	
	Daytime running light /position light, 12 V	2PT 980 789-251
	Daytime running light /position light, 24 V	2PT 980 789-251* 2PT 980 789-261*
	Accessories required for module chains	
	12 V control unit with connecting cables	8KA 959 186-901
	24 V control unit with connecting cables	8KA 959 186-911
 	1 Bracket for screw mounting, top	
	Set of 10 brackets	8HG 980 797-801
 	2 Bracket for reverse screw-mounting	
	Set of 10 brackets	8HG 980 793-801
 	3 Installation bracket	
	Set of 10 brackets (for module chain with 5 light modules)	8HG 980 795-801
Set of 12 brackets (for module chain with 6 light modules)	8HG 980 795-811	

* For 24 V operation, please observe the requirements as per the installation guide: the lamps are wired in series. You must order both articles for this!



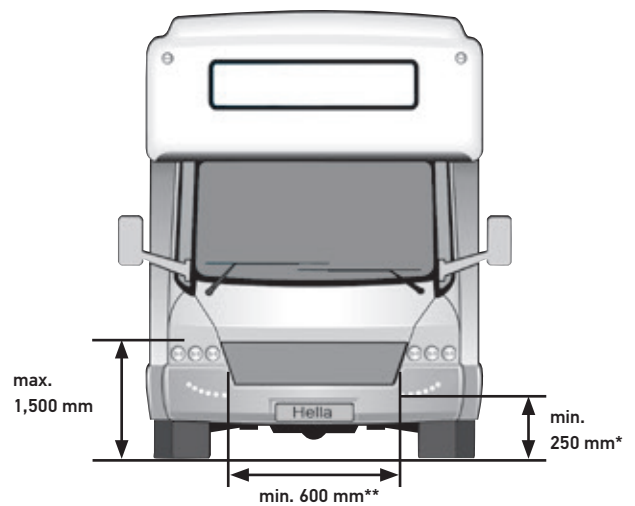
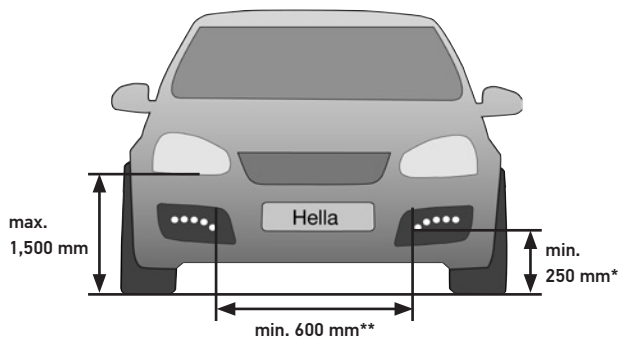
For further information:
www.tagfahrlicht.de
www.daytime-running-light.com

HELLA KGaA Hueck & Co.

Rixbecker Straße 75
59552 Lippstadt, Germany
Tel.: +49 2941 38-0
Fax: +49 2941 38-7133
Internet: www.hella.com

© HELLA KGaA Hueck & Co., Lippstadt,
922 999 133-727 KB/02.13/0.8
Printed in Germany
Subject to technical and price modifications

ATTACHMENT REGULATIONS



Legislation allows different attachment variations. However, the distances and beam angles to be adhered to are specified.

min. = minimum distance
max. = maximum distance

- * When used as a position light, the minimum attachment height must be 350 mm and the maximum distance from the outside edge must be 400 mm.
- ** For vehicles with a width < 1,300 mm, the distance must be at least 400 mm.
- When a daytime running light is used as a position light, the standard position light must be permanently disabled in accordance with ECE-R 48.
- For more information on legal stipulations and attachment regulations consult the internet or a qualified garage.
- See the relevant assembly instructions for more detailed information.



Daytime running lights provide a decisive safety advantage in road traffic and prevent 58% of accidents which result in serious injuries*. Equipped with LEDayFlex, your vehicle will be recognised earlier and better by other road users.

* Study carried out by the SWOV Institute for Road Safety Research on behalf of the EU.