



With ECE type approval

## BRIEF INFORMATION

### Auxiliary headlamp LED Light Bar 350 and 470

- Version: LED Light Bar 350 with plastic bracket or universal bracket
- Version: LED Light Bar 470 with universal bracket

#### PRODUCT FEATURES

- LED high-beam headlamp in the form of a compact light bar
- Low profile and lightweight
- Developed for the special requirements of off-road vehicles and for aerodynamic installation on the roofs of truck cabs
- For off-road use, briefly immersible (fording ability of up to 2 hours at up to 10 m), IP6K7
- With high-luminous-intensity, high-power LEDs
- Effective heat dissipation from the LED electronics through the thermo-conductive plastic housing
- Multivoltage: 9 - 33 V
- ECE type tested, R112 and EMV R10

#### SCOPE OF SUPPLY

- Individual headlamp with 2,500 mm, 2-pin connecting lead (with open ends)
- Incl. bracket set
- Integral LED light sources

#### OVERVIEW OF RANGE

##### LED LIGHT BAR 350, multi-voltage 12/24 V, 25 W

###### With plastic holder

LED high-beam headlamp (ECE Ref. 20)	<b>1FJ 958 040-001</b>
LED high-beam headlamp (ECE Ref. 30)	<b>1FJ 958 040-051</b>

###### With universal holder

LED high-beam headlamp (ECE Ref. 20)	<b>1FJ 958 040-072</b>
LED high-beam headlamp (ECE Ref. 30)	<b>1FJ 958 040-082</b>

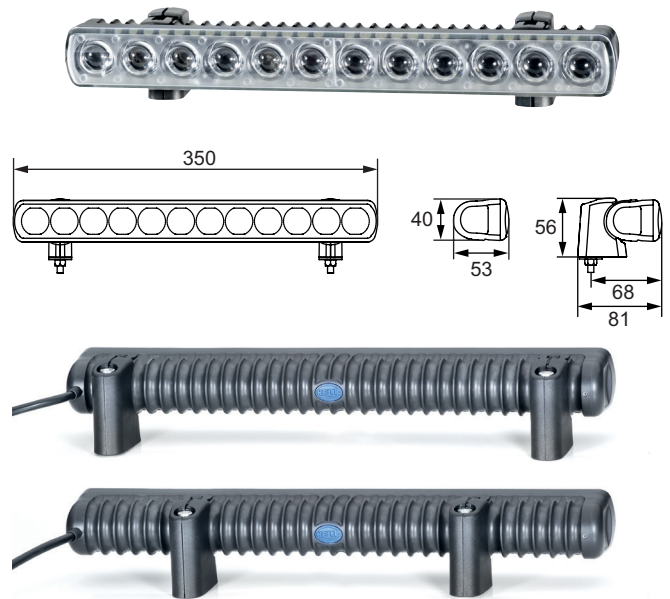
##### LED LIGHT BAR 470, multi-voltage 12/24 V, 35 W

###### With universal holder

LED high-beam headlamp (ECE Ref. 25)	<b>1FJ 958 130-111</b>
LED high-beam headlamp (ECE Ref. 37.5)	<b>1FJ 958 130-011</b>

## LED LIGHT BAR 350 WITH PLASTIC BRACKET

- Including fixing brackets and screws
- The positions of the fixing brackets on the vehicle can be varied in order to alter the clearance
- Suitable for horizontal surface mounting
- Pendant mounting can be achieved by altering the mounting angle by 180° and directing both fixing brackets upward
- Compact and with many different mounting options
- Weight: 700 g



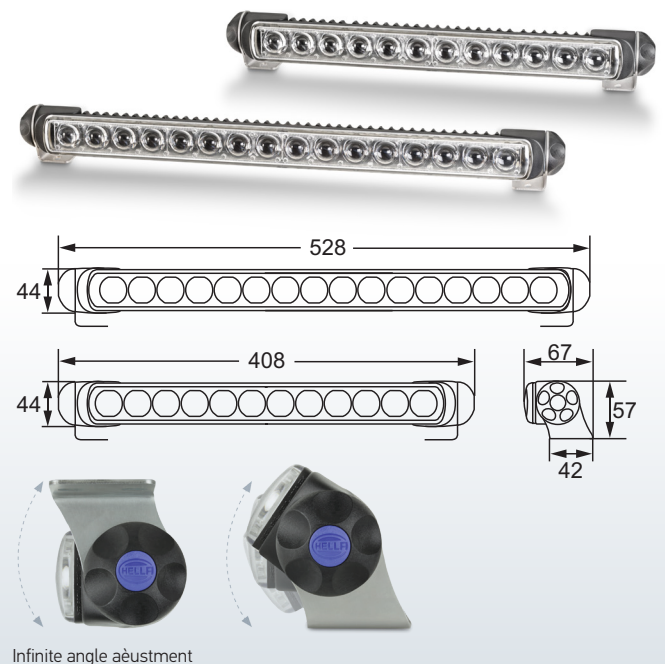
The variable positioning of the two plastic brackets using the clamping joint on the housing ribs allows flexible mounting options on the vehicle.



Angle adjustment: 20° downward and 30° upward when mounted upright.  
(Tighten mounting nuts to hold at the set tilt angle)

## LED LIGHT BAR 350 AND 470 WITH UNIVERSAL BRACKET

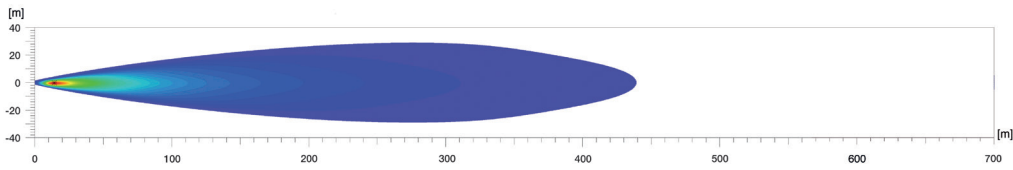
- Including universal bracket set (also available as spare part 8HG 958 139-841)
- Continuously variable adjustment for all mounting positions
- Suitable for upright mounting, pendant mounting, and mounting on surfaces at any angle
- Compact and with many different mounting options
- With drilling template for easy mounting
- Weight: 700 g (LED Light Bar 350)
- Weight: 900 g (LED Light Bar 470)



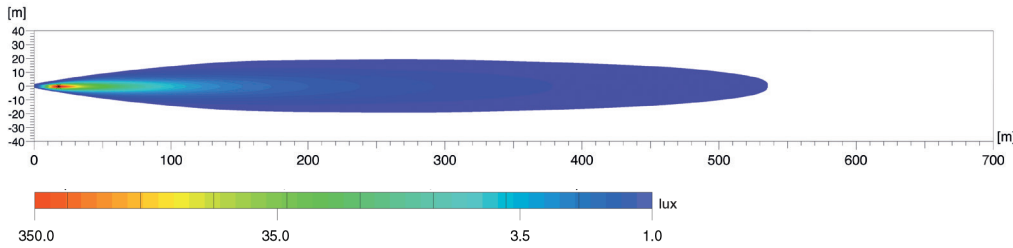
Infinite angle adjustment

# LIGHT DISTRIBUTION

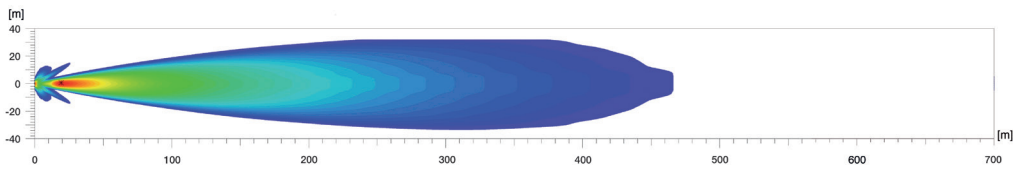
350 mm light bar, LED high-beam headlamp with reference number 20



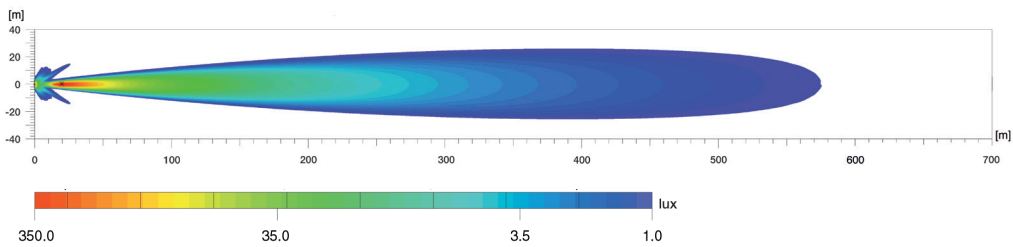
350 mm light bar, LED high-beam headlamp with reference number 30



470 mm light bar, LED high-beam headlamp with reference number 25



470 mm light bar, LED high-beam headlamp with reference number 37.5



## Lux is the unit used to measure illuminance.

It specifies the luminous flux emanating from the light source that strikes a specific surface. For example, an office workplace should be illuminated with at least 500 lux, and the human eye can still read a newspaper without any problems at 1 lux. The values under the lux bar indicate where the corresponding illuminance is achieved on the light distribution diagrams.

## Reference no. (Ref.)

The reference number (Ref.) is a figure that applies to a high-beam headlamp. According to the ECE regulation, this reference number must not exceed the upper limit of 100 per vehicle. In this case, the two values of the standard high beams (left and right headlamps) are added to the values of other mounted high-beam headlamps. The value is entered on the lens of approved headlamps.

**HELLA GmbH & Co. KGaA**

Rixbecker Straße 75  
59552 Lippstadt, Germany  
Tel.: +49 2941 38-0  
Fax: +49 2941 38-7133  
Internet: www.hella.com

© HELLA GmbH & Co. KGaA, Lippstadt  
J01387/07.20

Subject to technical and price modifications.

## ACCESSORIES - BRACKET FOR DOUBLE MOUNTING



Mounting brackets allow continuously variable illumination adjustment.

### SCOPE OF SUPPLY

2 x stainless steel double-mounting brackets  
(For the mounting of 2 LED Light Bars with universal bracket)

**8HG 958 128-811**

## ACCESSORIES – CONNECTING ELEMENT



### SCOPE OF SUPPLY

2 x connecting element (plastic)  
1 x M8 (20 mm) stainless steel cheese-head screw

**8HG 958 139-881**

The connector set makes it easier to horizontally mount multiple LED Light Bars and to align them exactly without any differences in the level.



See the light!  
Auxiliary headlights from HELLA. The right light for every application. Try them out online now!

[www.hella.com/upc](http://www.hella.com/upc)

[www.hella.com/truck](http://www.hella.com/truck)

[www.hella.com/offroad](http://www.hella.com/offroad)

[www.hella.com/eliver](http://www.hella.com/eliver)